

# SCHOKBREKER STOßDÄMPFER SHOCK ABSORBER



**RMS**  
MOTORCYCLE PARTS



# 2018 <sup>5</sup>

ELEC SUPERTEC bollard





# SCHOKBREKER STOßDÄMPFER SHOCK ABSORBER

**204550031**

**APRILIA:** Scarabeo 93-97 • Sr / Sr Lc 93-96 (R.O. AP8203631)  
**BENELLI:** 491 98-01  
**HONDA:** Sky 97-04

€ 25,90



**204550041**

**APRILIA:** Scarabeo 98-05 (R.O. AP8203946)

€ 23,90



**204550052**

**APRILIA:** Rally / Rally Lc 95-03 (R.O. AP8203750)

€ 32,90



**204550061**

**GILERA:** Easy Moving 95-96 • Storm 94-95 (R.O. 2729604)

**HONDA:** Gp Dio • Vision Met-in • Vision 1° serie

**PIAGGIO:** Free 92-94 • Ntt 95-96 • Zip 00-04  
(R.O. 2729604)

€ 35,90



**204550081**

**PIAGGIO:** Nrc 96-04 • Typhoon 01-11 • Vespa Et2 97-05 • Vespa Et4  
00-05 • Vespa Lx 05-13 (R.O. 667967)

€ 29,90



**204550092**

**SUZUKI:** Aj ZZ Sepia S 95-97

€ 27,90



# SCHOKBREKER STOßDÄMPFER SHOCK ABSORBER

**204550122**

**MALAGUTI:** F10 92-08 • Yesterday 97-00  
(R.O. 01004603)

€ **31,90**



**204550132**

**MALAGUTI:** Centro / SL 93-00 (R.O. 01003100)

€ **27,90**



**204550142**

**MALAGUTI:** F12 Aria / Lc / Phantom 94-06 (R.O. 01003408)

€ **29,90**



**204550162**

**MBK:** Booster • Booster Spirit 96-03  
**YAMAHA:** Bw's 97-03 (R.O. 4VVF22100000)

€ **25,90**



**204550181**

**MBK:** Ynr Ovetto 97-04  
**YAMAHA:** Neo's 97-06 (R.O. 5KKF22100033)

€ **27,90**



**204550191**

**PEUGEOT:** Buxy 94-97 • Sc Metropolis 91 Speedake 94-97 • St  
Rapido 85-93

€ **33,90**



# SCHOKBREKER STOßDÄMPFER SHOCK ABSORBER

**204550221**

PIAGGIO: Sfera Rst 95-97 (R.O. 564110)

€ 35,90



**204550281**

PIAGGIO 125-150-200: Liberty 01-12 (R.O. 56232R)

€ 45,90



**204550292**

PIAGGIO: Vespa 50 Special '70-'83 / Vespa 90 '63-'68 /  
125: Primavera '67-'83 / ET3 '76-'83 - PX '77-'97 - T5 / 150: GL '63-'64  
Sprint Veloce '69-'74 - PX '77-'97 / 200: Rally '68-'63-PE '77-'97  
(R.O. 494783)

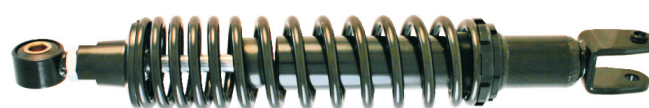
€ 63,90



**204550302**

YAMAHA 125: Majesty 98-06  
150: Majesty 01-02  
180: Majesty 03-06 (R.O. 5D5F2210033)

€ 44,90



**204550311**

HONDA 125: Dylan 01-06 • Nes 00-06 • Sh 01-12  
150: Dylan 01-06 • Nes 00-06 • Sh 01-12 (R.O. 52400KTF641)

€ 45,90



**204550331**

YAMAHA 250: majesty 00-03 (R.O. 5GM222100000)

€ 37,90



# SCHOKBREKER STOßDÄMPFER SHOCK ABSORBER

**204550342**

**YAMAHA 400:** majesty 04-11  
(R.O. 5RU222101000)

€ 75,90



**204550352**

**PIAGGIO:** Liberty Ptt Eu 2 04-05  
(R.O. 564949)

€ 39,90



**204550362**

**PIAGGIO 125-250:** Beverly / Rst / Cruiser / Tourer 01-10  
(R.O. 56174R)

€ 35,90



**204550372**

**KYMCO 50-125-150-200:** Dink Classic 02-04  
(R.O. 00165936)

€ 37,90



**204550432**

**PIAGGIO 125:** Skipper 4T 00-02 • Vespa Et4 99-02 Vespa Lx 05-13 •  
Vespa Lxv 06-12 • Zip 00-02 150: Vespa Lx 05-13  
(R.O. 56230R)

€ 55,90



**204550442**

**APRILIA 125:** Scarabeo le Light 09-12  
200: Scarabeo Light 07-12 (R.O. JC62100X9000)

€ 49,90



# SCHOKBREKER STOßDÄMPFER SHOCK ABSORBER

**204550452**

**APRILIA:** Sport City One 2T/4T 08-11 Sr Motard 12-13  
(R.O. 856481)

€ **39,90**



**204550462**

**APRILIA 125:** Sport City 04-08 Sport City Cube 08-10  
200: Sport City Cube  
250-300: Scarabeo Light 06-10 (R.O. AP8164551)

€ **43,90**



**204550472**

**APRILIA:** Sr R 04-11 • Sr Street 03-12  
(R.O. AP8223036)

€ **43,90**



**204550482**

**YAMAHA 125:** Ypr Xmax 06-09  
250: Black Xmax • Ypr Xmax 05-09  
(R.O. 1B9F22100200)

€ **41,90**



**204550492**

**YAMAHA 250:** Vp Xcity 09-12  
(R.O. 5B2F221020)

€ **45,90**



**204550502**

**YAMAHA 125:** Ypr Xmax 10-12  
250: Ypr Xmax 10-13 (R.O. 37PF22100000)

€ **43,90**



# SCHOKBREKER STOßDÄMPFER SHOCK ABSORBER

**204550512**

**PIAGGIO 125:** Vespa Gt 03-07 • Vespa Gts 07-13  
**200:** Vespa Gt 06-07 • 250: Vespa Gts 05-13  
**300:** Vespa Gts 08-13 • Vespa Gtv 10-13 (R.O. 58503R)

€ **45,90**



**204550522**

**KYMCO 125-150-200:** Agility R16 (R.O. 00152274)

€ **43,90**



**204550532**

**KYMCO 200-300:** Downtown i 09-11  
(R.O. 00152254)

€ **60,90**



**204550542**

**KYMCO 125-200:** People S 07-08 (R.O. 00166374NE)

€ **41,90**



**204550552**

**KYMCO 250:** People S 07  
**300:** People S 08 (R.O. 00166375NE)

€ **44,90**



**204550562**

**KYMCO 200-300:** People Gti 10-12  
(R.O. 00152254)

€ **55,90**





# SCHOKBREKER STOßDÄMPFER SHOCK ABSORBER

**204550572**

**KYMCO 125-200:** Dink Eu 3 06-07  
(R.O. 00165937)

€ **45,90**



**204550582**

**KYMCO 50:** Agility 4T R16 08-09

€ **49,90**



**204550592**

**KYMCO 50:** Agility 4T Carry 11 • Agility R12 05 • Agility 4T R12 07-08  
• Agility Rs 09 (R.O. 00166107)

€ **45,90**



**204550602**

**APRILIA 125-150-200:** Scarabeo Rotax (R.O. AP8163188)

€ **59,90**



**204550612**

**SUZUKI 125-150:** Ux Sixteen 08-11 (R.O. 6210020H01000)

€ **37,90**



**204550622**

**SUZUKI 125-200:** Burgman 07-13 (R.O. 6210003H01000)

€ **41,90**



# SCHOKBREKER STOßDÄMPFER SHOCK ABSORBER

**204550632**

**PIAGGIO 350:** Beverly Sport / Touring 11-13 (R.O. 58583R)

€ 43,90



**204550642**

**APRILIA:** Scarabeo 4T / 4V / Net 02-12 Scarabeo Quattro 09 (R.O. 666265)

€ 39,90



**204550651**

**PIAGGIO 400:** Beverly / Tourer 06-10  
**500:** Beverly 02-08 • Beverly Cruiser 07-12 (R.O. 56210R)

€ 43,90



**204550662**

**PIAGGIO 125:** Beverly Rst 10-13  
**300:** Beverly Rst 10-13 (R.O. 58518R)

€ 39,90



**204550672**

**PIAGGIO 125-200-250:** Carnaby 07-10  
**300:** Carnaby Cruiser 09-12 (R.O. 649423)

€ 41,90



**204550682**

**PIAGGIO 125-250-300:** Beverly/Cruiser/Tourer/Rst (R.O. 601014)

€ 37,90



# SCHOKBREKER STOßDÄMPFER SHOCK ABSORBER

**204550702**

**HONDA 250:** Forza 05-07 • Jazz 01-05  
**300:** Sh 07-13  
(R.O. 52400KDW903)

€ **63,90**



**204550712**

**HONDA 125-150:** Pcx 10-13 (R.O. 52400KWN711)

€ **41,90**



**204550722**

**HONDA 125:** Sh 13  
**150:** Sh 13  
(R.O. 52400K01901)

€ **44,90**



**204550732**

**APRILIA 400-500:** Scarabeo Light 06-08  
(R.O. AP8163503)

€ **47,90**



**204550742**

**APRILIA 500:** Scarabeo 03-06  
(R.O. 8163328)

€ **85,90**



**204550752**

**APRILIA 125:** Sr Max 11  
**300:** Sr Max  
**GILERA 125-250-300:** Nexus  
(R.O. 647524)

€ **48,90**



# SCHOKBREKER STOßDÄMPFER SHOCK ABSORBER

**204550762**

**KYMCO 125-300:** K-XCT 2012  
(R.O. 00152380N)

€ **59,90**



**204550772**

**PIAGGIO 125:** X EVO/X7/X8  
(R.O. 646552)

€ **63,90**



**204550782**

**PIAGGIO 125:** X9 Evolution  
(R.O. 56231R)

€ **55,90**



**204550792**

**PIAGGIO 125:** X10  
(R.O. 58607R)

€ **47,90**



**204550802**

**YAMAHA 250:** Vp Xcity 07-08  
(R.O. 5B2F22101000)

€ **41,90**



**204550812**

**PEUGEOT 125:** Geopolis  
(R.O. 770375)

€ **63,90**



# SCHOKBREKER STOßDÄMPFER SHOCK ABSORBER

**204550822**

**PEUGEOT 250/300:** Geopolis  
(R.O. 769092)

€ **63,90**



**204550832**

**KYMCO 300:** X-citing  
(R.O. 00152234 )

€ **73,90**



**204550862**

**APRILIA 50:** Scarabeo 2t Net  
(R.O. AP8223120)

€ **49,90**



**204550882**

**PIAGGIO 50:** Liberty 4T 00-13  
(R.O. 648088)

€ **55,90**



**204550902**

**YAMAHA 50:** Aerox 99-14  
(R.O. 5BSF2210A000)

€ **45,90**



**204550912**

**YAMAHA 400:** X-MAX 13-15  
(R.O. 1SDF22101000)

€ **53,90**



# SCHOKBREKER STOßDÄMPFER SHOCK ABSORBER

**204550951**

**SYM 50:** SYMPHONY S-SR  
(R.O. 52400APA000)

€ **35,90**



**204550961**

**SYM 125-200:** HD/HD-EVO  
(R.O. 52400H9B800)

€ **37,90**



**204550971**

**SYM 300:** JOYMAX 12-14  
(R.O. 52400LEA000KB)

€ **45,90**



**204550981**

**SYM 300:** CITYCOM 10-15  
(R.O. 52400L3A000KB)

€ **42,90**



**204551001**

**SYM 400:** MAXSYM 11-12  
(R.O. 52400L4A000KB)

€ **77,90**



**204560182**

**PIAGGIO:** Vespa 67-82 • Vespa FL 90 • Vespa FL2 Hp 91-97 • Vespa N 89-90 • Vespa Pk 82-89  
(R.O. 2466204)

€ **31,90**



# SCHOKBREKER STOßDÄMPFER SHOCK ABSORBER

**204560192**

**PIAGGIO:** Vespa 67-82 • Vespa FL 90 • Vespa FL2 Hp 91-97 • Vespa N 89-90 • Vespa Pk 82-89  
(R.O. 58571R)

€ 41,90



**204560201**

**PIAGGIO:** Vespa FL 90 • Vespa FL2 Hp 91-97 • Vespa N 89-90 • Vespa Pk 82-89  
(R.O. 266403)

€ 41,90



**204560212**

**PIAGGIO:** Vespa FL 90 • Vespa FL2 Hp 91-97 • Vespa N 89-90 • Vespa Pk 82-89  
(R.O. 2664264)

€ 35,90



**204560272**

**PIAGGIO 125-200:** Vespa PX BRAKEDISC  
(R.O. 561882)

€ 63,90



**204584212**

**PIAGGIO:** Vespa ET2 / Sfera RST  
(R.O. 562444)

€ 59,90



**204584242**

**PIAGGIO:** Vespa 67-82 • Vespa Pk 82-89 (R.O. 1379364)

€ 41,90



# SCHOKBREKER STOßDÄMPFER SHOCK ABSORBER

**204584252**

**PIAGGIO:** Vespa 67-82 • Vespa Pk 82-89 (R.O. 610290)

€ 39,90



**204584262**

**PIAGGIO 125:** Vespa PK Rush LF (R.O. 2665384)

€ 59,90



**204584282**

**PIAGGIO 125:** Vespa PX (R.O. 4056315175946)

€ 59,90



**204584372**

**PIAGGIO:** Vespa Lx 2T / 4T 05-13 (R.O. 646959)

€ 49,90



**204584382**

**PIAGGIO 125:** Vespa Gt 03-07 • Vespa Gts 07-12  
Vespa Gtv 07-08 • 200: Vespa Gt 06-07  
**250:** Vespa Gt 06-07 • Vespa Gts 05-13 • Vespa Gtv 06-09 • 300:  
Vespa Gts 10-12 • Vespa Gtv 10-13 (R.O. 56286R)

€ 59,90



**204584402**

**PIAGGIO 125:** Vespa PX T5 (R.O. 174446)

€ 69,90





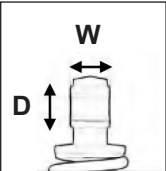
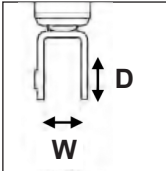
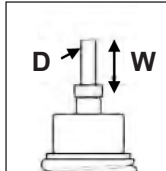
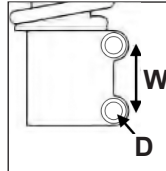
# SCHOKBREKER STOßDÄMPFER SHOCKABSORBER

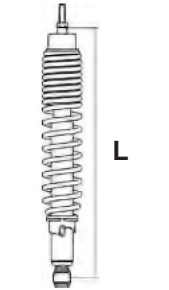
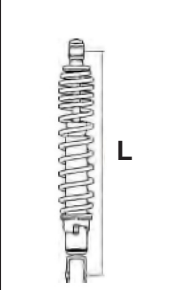
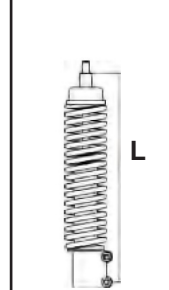
204585082

PIAGGIO 50: Vespa ET3  
(R.O. 1379364)



€ 45,90

TYPE OF FASTENING			
A	B	C	D
			

LENGTH		
		

# 50cc INDEX A - H

ART. NUMBER	MODEL	YEAR	OEM NUMBER	FRONT/ REAR	L (mm)	Upper attachment			Lower attachment			
						TYPE	D (mm)	W (mm)	TYPE	D (mm)	W (mm)	
<b>APRILIA</b>												
204550052	Rally	95-03	AP8203750	Rear	290	A	10,1	20	B	M8 x 1,25	20	
204550052	Rally Lc	96-99	AP8203750	Rear	290	A	10,1	20	B	M8 x 1,25	20	
204550031	Scarabeo	93-97	AP8203631	Rear	290	A	10,1	20	B	M8 x 1,25	20	
204550041	Scarabeo	98-05	AP8203946	Rear	290	A	10,2	20	B	M8 x 1,25	20	
204550642	Scarabeo 2t	10-12	666265	Rear	345	A	10,1	21,6	B	10,1	33	
204550862	Scarabeo 2t Net	09	AP8223120	Rear	310	A	10,2	20	B	10,5	33,5	
204550642	Scarabeo 4t	02-06	666265	Rear	345	A	10,1	21,6	B	10,1	33	
204550642	Scarabeo 4t 4v	10-12	666265	Rear	345	A	10,1	21,6	B	10,1	33	
204550642	Scarabeo 4t 4v Net	09-10	666265	Rear	345	A	10,1	21,6	B	10,1	33	
204550642	Scarabeo 4t Rst Eu3	06-09	666265	Rear	345	A	10,1	21,6	B	10,1	33	
204550642	Scarabeo Quattro	09	666265	Rear	345	A	10,1	21,6	B	10,1	33	
204550862	Scarabeo Street	05-06	AP8223120	Rear	310	A	10,2	20	B	10,5	33,5	
204550862	Scarabeo Street 2t	06-09	AP8223120	Rear	310	A	10,2	20	B	10,5	33,5	
204550452	Sport City One 2t	08-11	856441	Rear	340	A	10,2	28	B	10,1	33	
204550452	Sport City One 4t	08-10	856441	Rear	340	A	10,2	28	B	10,1	33	
204550031	Sr	93-96	AP8203631	Rear	290	A	10,1	20	B	M8 x 1,25	20	
204550031	Sr Liquid Cooled	94-96	AP8203631	Rear	290	A	10,1	20	B	M8 x 1,25	20	
204550452	Sr Motard	12	856441	Rear	340	A	10,2	28	B	10,1	33	
204550472	Sr R Factory le E Carbur.	10-11	AP8223036	Rear	300	A	10,15	21	B	10,1	36	
204550472	Sr R R Factory	04-09	AP8223036	Rear	300	A	10,15	21	B	10,1	36	
204550472	Sr Street	03-12	AP8223036	Rear	300	A	10,15	21	B	10,1	36	
<b>BENELLI</b>												
204550031	491 Sport	98-99		Rear	290	A	10,1	20	B	M8 x 1,25	20	
204550031	491 St	-		Rear	290	A	10,1	20	B	M8 x 1,25	20	
204550031	491 St Morini	98-01		Rear	290	A	10,1	20	B	M8 x 1,25	20	
<b>GILERA</b>												
204550061	Easy Moving	95-96	2729604	Rear	340	C	M8x 1,25		B	10,1	33	
204550061	Storm	94-95	2729604	Rear	340	C	M8x 1,25		B	10,1	33	
<b>HONDA</b>												
204550031	Sky	97-04		Rear	290	A	10,1	20	B	M8 x 1,25	20	
204550061	Gp Dio	-		Rear	340	C	M8 x 1,25		B	10,1	33	

# 50cc INDEX H - M

ART. NUMBER	MODEL	YEAR	OEM NUMBER	FRONT/ REAR	L (mm)	Upper attachment			Lower attachment		
						TYPE	D (mm)	W (mm)	TYPE	D (mm)	W (mm)
204550061	Vision Met-In	-		Rear	340	C	M8 x 1,25		B	10,1	33
204550061	Vision Prima Serie	-		Rear	340	C	M8 x 1,25		B	10,1	33
<b>KYMCO</b>											
204550582	Agility 4T R16	08-12	152232	Rear	308	A	10,1	20	B	M8 x 1,25	20
204550592	Agility 4T Carry	11	166107	Rear	338	A	10,1	20	B	M8 x 1,25	20
204550592	Agility R12	05	166107	Rear	338	A	10,1	20	B	M8 x 1,25	20
204550592	Agility 4T R12	07-08	166107	Rear	338	A	10,1	20	B	M8 x 1,25	20
204550592	Agility Rs	09	166107	Rear	338	A	10,1	20	B	M8 x 1,25	20
<b>MALAGUTI</b>											
204550132	Centro Base	93-94	1003100	Rear	225	A	10,1	20	B	M8 x 1,25	20
204550132	Centro Sl	94-98	1003100	Rear	225	A	10,1	20	B	M8 x 1,25	20
204550132	Centro Sl Kat	99-00	1003100	Rear	225	A	10,1	20	B	M8 x 1,25	20
204550122	F10 Ac	08	1004603	Rear	245	A	10,1	20	B	M8 x 1,25	20
204550122	F10 Ac Eco	09-10	1004603	Rear	245	A	10,1	20	B	M8 x 1,25	20
204550122	F10 Jet Line	92-98	1004603	Rear	245	A	10,1	20	B	M8 x 1,25	20
204550122	F10 Kat	99-00	1004603	Rear	245	A	10,1	20	B	M8 x 1,25	20
204550122	F10 Rst Eu1	01-02	1004603	Rear	245	A	10,1	20	B	M8 x 1,25	20
204550122	F10 Rst Eu2	02-06	1004603	Rear	245	A	10,1	20	B	M8 x 1,25	20
204550122	F10 Rst Eu2-2.3	03-04	1004603	Rear	245	A	10,1	20	B	M8 x 1,25	20
204550142	F12 Aria Rst Eu2	06	1003408	Rear	255	A	10,2	20	B	M8 x 1,25	20
204550142	F12 Lc Rst Eu2	02	1003408	Rear	255	A	10,2	20	B	M8 x 1,25	20
204550142	F12 Phan. Lc Rst Eu2.3	03-04	1003408	Rear	255	A	10,2	20	B	M8 x 1,25	20
204550142	F12 Phan. Lc Twin Disks	98-98	1003408	Rear	255	A	10,2	20	B	M8 x 1,25	20
204550142	F12 Phantom	94-98	1003408	Rear	255	A	10,2	20	B	M8 x 1,25	20
204550142	F12 Phantom Eu1	99-00	1003408	Rear	255	A	10,2	20	B	M8 x 1,25	20
204550142	F12 Phantom Lc	94-98	1003408	Rear	255	A	10,2	20	B	M8 x 1,25	20
204550142	F12 Phantom Lc Eu1	01-02	1003408	Rear	255	A	10,2	20	B	M8 x 1,25	20
204550142	F12 Phantom Lc Rst Eu1	01-02	1003408	Rear	255	A	10,2	20	B	M8 x 1,25	20
204550142	F12 Phantom Lc Rst Eu2	02	1003408	Rear	255	A	10,2	20	B	M8 x 1,25	20
204550142	F12 Phantom Rst Eu1	01-02	1003408	Rear	255	A	10,2	20	B	M8 x 1,25	20
204550142	F12 Phantom Rst Eu2	02	1003408	Rear	255	A	10,2	20	B	M8 x 1,25	20
204550142	F12 Phantom Rst Eu2.3	03-04	1003408	Rear	255	A	10,2	20	B	M8 x 1,25	20

# 50cc INDEX M - P

ART. NUMBER	MODEL	YEAR	OEM NUMBER	FRONT/ REAR	L (mm)	Upper attachment			Lower attachment		
						TYPE	D (mm)	W (mm)	TYPE	D (mm)	W (mm)
204550122	Yesterday - Yesterday Eu	97-00	1004603	Rear	245	A	10,1	20	B	M8 x 1,25	20
<b>MBK</b>											
204550162	Booster	01-02	4VVF22100000	Rear	245	A	10,1	20	B	M8 x 1,25	20
204550162	Booster Spirit	96-98	4VVF22100000	Rear	245	A	10,1	20	B	M8 x 1,25	20
204550162	Booster Spirit (Ita)	99-00	4VVF22100000	Rear	245	A	10,1	20	B	M8 x 1,25	20
204550162	Booster Spirit Eu2	02-03	4VVF22100000	Rear	245	A	10,1	20	B	M8 x 1,25	20
204550181	Yn R Ovetto (Che-Ita)	97-04	5KKF22100033	Rear	280	A	10,1	20	B	M8 x 1,25	20
<b>PEUGEOT</b>											
204550191	Buxy	94-97		Rear	280	A	10,2	20	B	M8 x 1,25	20
204550191	Sc Metropolis Lm-Sxlm	91-91		Rear	280	A	10,2	20	B	M8 x 1,25	20
204550191	Speedake	94-97		Rear	280	A	10,2	20	B	M8 x 1,25	20
204550191	St Rapido	85-93		Rear	280	A	10,2	20	B	M8 x 1,25	20
<b>PIAGGIO</b>											
204550061	Free	92-94	2729604	Rear	340	C	M8 x 1,25	15	B	10,1	33
204550882	Fly	11	648088	Rear	348	C	M8 x 1,0	22	B	10,1	37
204550061	Fly	12	2729604	Rear	340	C	M8 x 1,25	15	B	10,1	33
204550882	Liberty 4t	00-08	648088	Rear	348	C	M8 x 1,0	22	B	10,1	37
204550882	Liberty 4t RST	04	648088	Rear	348	C	M8 x 1,0	22	B	10,1	37
204550882	Liberty 4t Sport	06-08	648088	Rear	348	C	M8 x 1,0	22	B	10,1	37
204550352	Liberty Ptt Eu2	04-05	564949	Rear	329	C	M8 x 1,0	20,5	B	10,1	37
204550882	LibertyMoc 4t & Elle	09-13	648088	Rear	348	C	M8 x 1,0	22	B	10,1	37
204550081	Nrg Extreme	99-00	667967	Rear	330	C	M8 x 1,0	15	B	10,1	33
204550081	Nrg Mc3	01-04	667967	Rear	330	C	M8 x 1,0	15	B	10,1	33
204550081	Nrg Purejet	02-04	667967	Rear	330	C	M8 x 1,0	15	B	10,1	33
204550081	Nrg Rst Mc2	96-98	667967	Rear	330	C	M8 x 1,0	15	B	10,1	33
204550061	Ntt	95-96	2729604	Rear	340	C	M8 x 1,25	15	B	10,1	33
204550061	Primavera	13	2729604	Rear	340	C	M8 x 1,25	15	B	10,1	33
204584212	Sfera Rst	95-97	598922	Front	264	C	M8 x 1,25	14	D	M8	35
204550221	Sfera Rst	95-97	564110	Rear	325	C	M8 x 1,0	25	B	10,1	33
204550061	Sprint	13	2729604	Rear	340	C	M8 x 1,25	15	B	10,1	33
204550081	Typhoon	01-11	667967	Rear	330	C	M8 x 1,0	15	B	10,1	33
204584242	Vespa 50	67-82	1379364	Front	217	C	M8 x 1,0	25	A	14,1	40

# 50cc INDEX P

ART. NUMBER	MODEL	YEAR	OEM NUMBER	FRONT/ REAR	L (mm)	Upper attachment			Lower attachment		
						TYPE	D (mm)	W (mm)	TYPE	D (mm)	W (mm)
204560182	Vespa 50	67-82	246604	Rear	348	C	M9 x 1,25	16	B	9,6	47
204550292	Vespa 50	67-82	494783	Rear	347	C	M9 x 1,25	16	B	9,6	47
204584252	Vespa 50	67-82	610290	Front	215	C	M8 x 1,0	30	A	14,1	40
204584212	Vespa Et2	97-05	598922	Front	264	C	M8 x 1,25	14	D	M8	35
204550081	Vespa Et2	97-05	667967	Rear	330	C	M8 x 1,0	15	B	10,1	33
204584212	Vespa Et2 Iniezione	97-00	598922	Front	264	C	M8 x 1,25	14	D	M8	35
204550081	Vespa Et2 Iniezione	97-00	667967	Rear	330	C	M8 x 1,0	15	B	10,1	33
204584212	Vespa Et4	95-97	598922	Front	264	C	M8 x 1,25	14	D	M8	35
204550081	Vespa Et4	00-05	667967	Rear	330	C	M8 x 1,0	15	B	10,1	33
204560182	Vespa FI	90-90	246604	Rear	348	C	M9 x 1,25	16	B	9,6	47
204560192	Vespa FI	90-90	58571R	Rear	344	C	M9 x 1,25	16	B	9,6	47
204584262	Vespa FI	90-90	266584	Front	253	C	M10x1,25	17	D	M8 x 1,25	35
204560212	Vespa FI	90-90	2664264	Rear	344	C	M8 x 1,0	30	B	9,6	47
204560201	Vespa FI2 Hp	91-97	266403	Front	348	C	M8 x 1,0	30	B	9,6	47
204560212	Vespa FI2 Hp	91-97	2664264	Rear	344	C	M8 x 1,0	30	B	9,6	47
204550081	Vespa Lx 2t	05-13	667967	Rear	330	C	M8 x 1,0	15	B	10,1	33
204584372	Vespa Lx 2t	05-13	646959	Front	266	C	M10x1,25	15	D	M8x1,25	35
204550081	Vespa Lx 2t FI	09-10	667967	Rear	330	C	M8 x 1,0	15	B	10,1	33
204550081	Vespa Lx 2t Touring	10-13	667967	Rear	330	C	M8 x 1,0	15	B	10,1	33
204584372	Vespa Lx 2t Touring	10-13	646959	Front	266	C	M10x1,25	15	D	M8x1,25	35
204550081	Vespa Lx 4t	05-08	667967	Rear	330	C	M8 x 1,0	15	B	10,1	33
204584372	Vespa Lx 4t	05-08	646959	Front	266	C	M10x1,25	15	D	M8x1,25	35
204550081	Vespa Lx 4t-4v	09-13	667967	Rear	330	C	M8 x 1,0	15	B	10,1	33
204584372	Vespa Lx 4t-4v	09-13	646959	Front	266	C	M10x1,25	15	D	M8x1,25	35
204550081	Vespa Lx 4t-4v Touring	10-13	667967	Rear	330	C	M8 x 1,0	15	B	10,1	33
204584372	Vespa Lx 4t-4v Touring	10-13	646959	Front	266	C	M10x1,25	15	D	M8x1,25	35
204550081	Vespa Lxv 2t	06-08	667967	Rear	330	C	M8 x 1,0	15	B	10,1	33
204550081	Vespa Lxv 2t Navy	08	667967	Rear	330	C	M8 x 1,0	15	B	10,1	33
204560182	Vespa N	89-90	246604	Rear	348	C	M9 x 1,25	16	B	9,6	47
204560192	Vespa N	89-90	58571R	Rear	344	C	M9 x 1,25	16	B	9,6	47
204560201	Vespa N	89-90	266403	Front	348	C	M8 x 1,0	30	B	9,6	47
204560212	Vespa N	89-90	2664264	Rear	344	C	M8 x 1,0	30	B	9,6	47

# 50cc INDEX P - Y

ART. NUMBER	MODEL	YEAR	OEM NUMBER	FRONT/ REAR	L (mm)	Upper attachment			Lower attachment		
						TYPE	D (mm)	W (mm)	TYPE	D (mm)	W (mm)
204560182	Vespa Pk	82-84	246604	Rear	348	C	M9 x 1,25	16	B	9,6	47
204585082	Vespa Pk	84-89	1379364	Front	220	C	M8 x 1,0	16	A	14	40
204560192	Vespa Pk	82-84	58571R	Rear	344	C	M9 x 1,25	16	B	9,6	47
204560201	Vespa Pk	82-84	266403	Front	348	C	M8 x 1,0	30	B	9,6	47
204560212	Vespa Pk	82-84	2664264	Rear	344	C	M8 x 1,0	30	B	9,6	47
204584242	Vespa Pk	82-84	1379364	Front	217	C	M8 x 1,0	25	A	14,1	40
204584252	Vespa Pk	82-84	610290	Front	215	C	M8 x 1,0	30	A	14,1	40
204584252	Vespa Pk S Automat.	84-89	610290	Front	215	C	M8 x 1,0	30	A	14,1	40
204584242	Vespa Pk S Automat.	84-89	1379364	Front	217	C	M8 x 1,0	25	A	14,1	40
204560182	Vespa Pk XI	85-88	246604	Rear	348	C	M9 x 1,25	16	B	9,6	47
204560192	Vespa Pk XI	85-88	58571R	Rear	344	C	M9 x 1,25	16	B	9,6	47
204560201	Vespa Pk XI	85-88	266403	Front	348	C	M8 x 1,0	30	B	9,6	47
204560212	Vespa Pk XI	85-88	2664264	Rear	344	C	M8 x 1,0	30	B	9,6	47
204560182	Vespa Pk XI Rush	88-89	246604	Rear	348	C	M9 x 1,25	16	B	9,6	47
204560192	Vespa Pk XI Rush	88-89	58571R	Rear	344	C	M9 x 1,25	16	B	9,6	47
204560201	Vespa Pk XI Rush	88-89	266403	Front	348	C	M8 x 1,0	30	B	9,6	47
204560212	Vespa Pk XI Rush	88-89	2664264	Rear	344	C	M8 x 1,0	30	B	9,6	47
204550061	Zip	00-04	2729604	Rear	340	C	M8 x 1,25	15	B	10,1	33
204584212	Zip SP	01-13	598922	Front	264	C	M8 x 1,25	14	D	M8	35
<b>SUZUKI</b>											
204550092	Aj Zz Sepia S	95-97		Rear	265	A	10,1	20	B	M8x1,25	20
<b>SYM</b>											
204550951	SYMPHONY S-SR		52400APA000	Rear	323	A	10,2	18	B	M8x1,25	20
<b>YAMAHA</b>											
204550902	Aerox YQ	99-14	5BSF2210A000	Rear	273	A	10,1	20	B	M8x1,25	20
204550902	Aerox Naked	99-14	5BSF2210A000	Rear	273	A	10,1	20	B	M8x1,25	20
204550162	Bw's Original	97-02	4VVF22100000	Rear	245	A	10,1	20	B	M8x1,25	20
204550162	Bw's Original Eu2	03	4VVF22100000	Rear	245	A	10,1	20	B	M8x1,25	20
204550162	Cw Bw's Original Eu2	02	4VVF22100000	Rear	245	A	10,1	20	B	M8x1,25	20
204550181	Neo's	97-06	5KKF22100033	Rear	280	A	10,1	20	B	M8x1,25	20

# MAXISCOOT INDEX A - G



**RMS**  
MOTORCYCLE PARTS

ART. NUMBER	MODEL	YEAR	OEM NUMBER	FRONT/ REAR	L (mm)	Upper attachment			Lower attachment			
						TYPE	D (mm)	W (mm)	TYPE	D (mm)	W (mm)	
<b>APRILIA</b>												
204550642	Scarabeo 4t	100	01-12	666265	Rear	345	A	10,1	216	B	10,1	33
204550642	Scarabeo 4t Net	100	10	666265	Rear	345	A	10,1	216	B	10,1	33
204550642	Scarabeo 4t Rst	100	06-09	666265	Rear	345	A	10,1	216	B	10,1	33
204550041	Scarabeo Mot Minarelli	100	00	AP8203946	Rear	290	A	10,2	20	B	M8 x 1,25	20
204550041	Scarabeo Mot Yamaha	100	00	AP8203946	Rear	290	A	10,2	20	B	M8 x 1,25	20
204550442	Scarabeo Ie Light	125	09-12	JC62100X9000	Rear	344	A	8	21	A	10,1	24
204550602	Scarabeo Motore Rotax	125	99-04	AP8163188	Rear	390	A	10,15	21	B	10,1	30
204550462	Sport City	125	04-06	AP8164551	Rear	345	A	8	21	A	14,1	24
204550462	Sport City Cube	125	08-10	AP8164551	Rear	345	A	8	21	A	14,1	24
204550462	Sport City Eu3	125	06-08	AP8164551	Rear	345	A	8	21	A	14,1	24
204550752	Sr Max	125	11	647524	Rear	377	A	10,5	30	A	10,5	30
204550602	Scarabeo Mot Rotax	150	99-04	AP8163188	Rear	390	A	10,15	21	B	10,1	30
204550442	Scarabeo Ie Light	200	11-12	JC62100X9000	Rear	344	A	8	21	A	10,1	24
204550442	Scarabeo Light	200	07-08	JC62100X92000	Rear	344	A	8	21	A	10,1	24
204550602	Scarabeo Mot Rotax	200	99-04	AP8163188	Rear	390	A	10,15	21	B	10,1	30
204550462	Sport City Cube	200	08-10	AP8164551	Rear	345	A	8	21	A	14,1	24
204550462	Scarabeo Light	250	06-08	AP8164551	Rear	345	A	8	21	A	14,1	24
204550462	Scarabeo Light	300	09-10	AP8164551	Rear	345	A	8	21	A	14,1	24
204550462	Sport City Street	300	12	AP8164551	Rear	345	A	8	21	A	14,1	24
204550752	Sr Max	300	11-12	647524	Rear	377	A	10,5	30	A	10,5	30
204550732	Scarabeo Light	400	06-08	AP8163503	Rear	377	A	10,5	30	A	10,5	30
204550742	Scarabeo	500	03-06	8163328	Rear	390	A	10,2	21	A	10,2	30
204550732	Scarabeo Light	500	06-08	AP8163503	Rear	377	A	10,5	30	A	10,5	30
<b>GILERA</b>												
204550752	Nexus Eu3	125	07-08	647524	Rear	377	A	10,5	30	A	10,5	30
204550752	Nexus Eu3 Ie	125	09-10	647524	Rear	377	A	10,5	30	A	10,5	30
204550752	Nexus Eu3	250	06	647524	Rear	377	A	10,5	30	A	10,5	30
204550752	Nexus Sp Eu3	250	06-07	647524	Rear	377	A	10,5	30	A	10,5	30
204550752	Nexus Eu3	300	08-11	647524	Rear	377	A	10,5	30	A	10,5	30

# MAXISCOOT INDEX H - K



**RMS**  
MOTORCYCLE PARTS

ART. NUMBER	MODEL	YEAR	OEM NUMBER	FRONT/ REAR	L (mm)	Upper attachment			Lower attachment			
						TYPE	D (mm)	W (mm)	TYPE	D (mm)	W (mm)	
<b>HONDA</b>												
204550311	Dylan	01-06	52400KTF641	Rear	308	A	10,1	20	B	M8 x 1,25	20	
204550702	Forza	05-07	52400-KTW-903	Rear	404	A	10,1	205	B	M10 x 1,25	27	
204550702	Jazz	01-05	52400-KTW-903	Rear	404	A	10,1	205	B	M10 x 1,25	27	
204550311	Nes	00-06	52400KTF641	Rear	308	A	10,1	20	B	M8 x 1,25	20	
204550712	Pcx	10-13	52400-KWN-711	Rear	311	A	10,15	21	B	M8 x 1,25	20	
204550311	Sh	01-04	52400KTF641	Rear	308	A	10,1	20	B	M8 x 1,25	20	
204550702	Sh	07-13	52400-KTW-903	Rear	404	A	10,1	205	B	M10 x 1,25	27	
204550311	Sh I	05-12	52400KTF641	Rear	308	A	10,1	20	B	M8 x 1,25	20	
204550722	Sh I	13	52400-K01-901	Rear	377	A	10,15	21	B	M8 x 1,25	20	
<b>KYMCO</b>												
204550522	Agility R16	125	08-12	152274	Rear	326	A	10,15	21	B	M8 x 1,25	20
204550372	Dink Classic	125	02	165936	Rear	280	A	10,15	21	B	M8 x 1,25	20
204550372	Dink Classic Euro2	125	03	165936	Rear	280	A	10,15	21	B	M8 x 1,25	20
204550572	Dink Eu3	125	06-07	165937	Rear	320	A	10,15	21	B	M8 x 1,25	20
204550762	k-Xct I	125	12-14	00152380N	rear	390	A	10,2	21	B	M10 x 1,25	26,5
204550542	People S Dd Eu3	125	07-08	00166374NE	Rear	328	A	10,15	21	B	M8 x 1,25	20
204550522	Agility R16	150	08-09	152274	Rear	326	A	10,15	21	B	M8 x 1,25	20
204550522	Agility R16	200	10-12	152274	Rear	326	A	10,15	21	B	M8 x 1,25	20
204550372	Dink Classic	200	04	165936	Rear	280	A	10,15	21	B	M8 x 1,25	20
204550572	Dink Eu3i	200	06-07	165937	Rear	320	A	10,15	21	B	M8 x 1,25	20
204550532	Downtown I	200	10	152254	Rear	390	A	10,15	21	B	M10 x 1,25	26,5
204550562	People Gti	200	10	152277	Rear	398	A	10,15	21	B	M10 x 1,25	26,5
204550542	People Si	200	07	00166374NE	Rear	328	A	10,15	21	B	M8 x 1,25	20
204550552	People Si	250	07	00166375NE	Rear	394	A	10,15	21	B	M10 x 1,25	23
204550532	Downtown I	300	09-11	152254	Rear	390	A	10,15	21	B	M10 x 1,25	26,5
204550762	K-Xct I	300	14	00152380N	rear	390	A	10,2	21	B	M10 x 1,25	26,5
204550562	People Gti	300	10-12	152277	Rear	398	A	10,15	21	B	M10 x 1,25	26,5
204550552	People S I	300	08	00166375NE	Rear	394	A	10,15	21	B	M10 x 1,25	23
204550832	X Citing	300	08	152234	rear	387	A	10,2	21	B	M10 x 1,25	26,5
204550832	X Citing-R	300	08	152234	rear	387	A	10,2	21	B	M10 x 1,25	26,5



# MAXISCOOT INDEX M - P



**RMS**  
MOTORCYCLE PARTS

ART. NUMBER	MODEL	YEAR	OEM NUMBER	FRONT/ REAR	L (mm)	Upper attachment			Lower attachment			
						TYPE	D (mm)	W (mm)	TYPE	D (mm)	W (mm)	
<b>MBK</b>												
204550181	Ovetto	00-02	5KKF22100033	Rear	280	A	10,1	20	B	M8 x 1,25	20	
<b>PEUGEOT</b>												
204550812	Geopolis	125	770375	Rear	360	A	10,1	21	B	M10 x 1,25	20	
204550822	Geopolis	250	769092	Rear	352	A	10,1	21	A	14,1	24	
204550822	Geopolis	300	769092	Rear	352	A	10,1	21	A	14,1	24	
<b>PIAGGIO</b>												
204550362	Beverly	125	01-03	56174R	Rear	339	A	10,1	30	B	14,1	24
204550362	Beverly Eu3	125	07-08	56174R	Rear	339	A	10,1	30	B	14,1	24
204550362	Beverly Eu3 Mic	125	07	56174R	Rear	339	A	10,1	30	B	14,1	24
204550682	Beverly Eu3 Mic	125	07-08	601014	Rear	338	A	10,5	30	A	14,1	24
204550682	Beverly Eu3 Sport	125	07-08	601014	Rear	338	A	10,5	30	A	14,1	24
204550682	Beverly Rst	125	04-07	601014	Rear	338	A	10,5	30	A	14,1	24
204550662	Beverly Rst 4t 4v Ie Eu3	125	10-13	58518R	Rear	346	A	10,5	30	A	14,1	24
204550682	Beverly Rst 4t 4v Ie Eu3	125	10-11	601014	Rear	338	A	10,5	30	A	14,1	24
204550682	Beverly Tourer Eu3	125	08-10	601014	Rear	338	A	10,5	30	A	14,1	24
204550672	Carnaby	125	07-10	649423	Rear	348	A	8	21	A	14,1	24
204550281	Liberty	125	01-02	56232R	Rear	318	C	M8 x 1,0	25	A	10,2	30
204550352	Liberty	125	98-00	564949	Rear	329	C	M8 x 1,0	205	B	10,1	37
204550281	Liberty 4t	125	06-07	56232R	Rear	318	C	M8 x 1,0	25	A	10,2	30
204550281	Liberty 4t 2v Euro3	125	09-12	56232R	Rear	318	C	M8 x 1,0	25	A	10,2	30
204550281	Liberty 4t 2v Ie E3 Ptt-Ita	125	12	56232R	Rear	318	C	M8 x 1,0	25	A	10,2	30
204550281	Liberty 4t Eu3	125	07-08	56232R	Rear	318	C	M8 x 1,0	25	A	10,2	30
204550281	Liberty 4t Euro3	125	08	56232R	Rear	318	C	M8 x 1,0	25	A	10,2	30
204550281	Liberty 4t E3 Deliv. Single	125	07-12	56232R	Rear	318	C	M8 x 1,0	25	A	10,2	30
204550281	Liberty 4t E3 Delivery Tnt	125	06-08	56232R	Rear	318	C	M8 x 1,0	25	A	10,2	30
204550281	Liberty 4t Sport Eu3	125	06-08	56232R	Rear	318	C	M8 x 1,0	25	A	10,2	30
204550281	Liberty Rst	125	04-05	56232R	Rear	318	C	M8 x 1,0	25	A	10,2	30
204550281	Liberty Rst Ptt	125	05-11	56232R	Rear	318	C	M8 x 1,0	25	A	10,2	30
204550281	Liberty Sport	125	06	56232R	Rear	318	C	M8 x 1,0	25	A	10,2	30
204584212	Sfera	125	95-97	598922	Front	264	C	M8 x 1,25	14	D	M8	35

# MAXISCOOT INDEX P



**RMS**  
MOTORCYCLE PARTS

ART. NUMBER	MODEL	YEAR	OEM NUMBER	FRONT/ REAR	L (mm)	Upper attachment			Lower attachment			
						TYPE	D (mm)	W (mm)	TYPE	D (mm)	W (mm)	
204550221	Sfera	125	95-97	564110	Rear	325	C	M8 x 1,0	25	B	10,1	33
204550432	Skipper 4t	125	00-02	56230R	Rear	322,5	C	M8 x 1,0	21	B	10,2	30,5
204584242	Vespa	125	67-82	1379364	Front	217	C	M8 x 1,0	25	A	14,1	40
204550292	Vespa ET3 Primavera	125		494783	Rear	347	C	M9 x 1,25	16	B	9,6	47
204550221	Vespa Et4	125	96-98	564110	Rear	325	C	M8 x 1,0	25	B	10,1	33
204550432	Vespa Et4	125	99-02	56230R	Rear	322,5	C	M8 x 1,0	21	B	10,2	30,5
204584212	Vespa Et4	125	96-02	598922	Front	264	C	M8 x 1,25	14	D	M8	35
204560182	Vespa FL	125	89-90	266404	Rear	348	C	M9 x 1,25	16	B	9,6	47
204560272	Vespa FL	125	89-90	561882	Rear	391	C	M9 x 1,25	16	B	9,6	47
204550512	Vespa Granturismo	125	03-07	58503R	Rear	348	C	M8 x 1,0	25	A	14,1	24
204584382	Vespa Granturismo	125	03-07	56286R	Front	291	C	M10 x 1,25	16	D	M8 x 1,25	35
204550512	Vespa Granturismo Eu3	125	06-07	58503R	Rear	348	C	M8 x 1,0	25	A	14,1	24
204584382	Vespa Granturismo Eu3	125	06-07	56286R	Front	291	C	M10 x 1,25	16	D	M8 x 1,25	35
204550512	Vespa Gts 4t le Super	125	01-09	58503R	Rear	348	C	M8 x 1,0	25	A	14,1	24
204550512	Vespa Gts Eu3	125	07-12	58503R	Rear	348	C	M8 x 1,0	25	A	14,1	24
204584382	Vespa Gts Eu3	125	07-12	56286R	Front	291	C	M10 x 1,25	16	D	M8 x 1,25	35
204584382	Vespa Gtv	125	07-08	56286R	Front	291	C	M10 x 1,25	16	D	M8 x 1,25	35
204584382	Vespa Gtv 4t Navy Eu3	125	08	56286R	Front	291	C	M10 x 1,25	16	D	M8 x 1,25	35
204550432	Vespa Lx	125	05-06	56230R	Rear	322,5	C	M8 x 1,0	21	B	10,2	30,5
204584372	Vespa Lx	125	05-06	646959	Front	266	C	M10 x 1,25	15	D	M8 x 1,25	35
204550432	Vespa Lx 3v le-Touring	125	01-12	56230R	Rear	322,5	C	M8 x 1,0	21	B	10,2	30,5
204584372	Vespa Lx 3v le-Touring	125	01-12	646959	Front	266	C	M10 x 1,25	15	D	M8 x 1,25	35
204550432	Vespa Lx 4t E3 Touring	125	10-11	56230R	Rear	322,5	C	M8 x 1,0	21	B	10,2	30,5
204584372	Vespa Lx 4t E3 Touring	125	10-11	646959	Front	266	C	M10 x 1,25	15	D	M8 x 1,25	35
204550432	Vespa Lx 4t FI	125	09	56230R	Rear	322,5	C	M8 x 1,0	21	B	10,2	30,5
204584372	Vespa Lx 4t FI	125	09	646959	Front	266	C	M10 x 1,25	15	D	M8 x 1,25	35
204550432	Vespa Lx Eu3	125	06-08	56230R	Rear	322,5	C	M8 x 1,0	21	B	10,2	30,5
204550432	Vespa Lx Eu3 le	125	09-10	56230R	Rear	322,5	C	M8 x 1,0	21	B	10,2	30,5
204550432	Vespa Lxv 4t Eu3	125	06-09	56230R	Rear	322,5	C	M8 x 1,0	21	B	10,2	30,5
204550432	Vespa Lxv 4t Navy Eu3	125	08	56230R	Rear	322,5	C	M8 x 1,0	21	B	10,2	30,5
204550432	Vespa Lxv le 4t	125	10-12	56230R	Rear	322,5	C	M8 x 1,0	21	B	10,2	30,5

# MAXISCOOT INDEX P



**RMS**  
MOTORCYCLE PARTS

ART. NUMBER	MODEL	YEAR	OEM NUMBER	FRONT/ REAR	L (mm)	Upper attachment			Lower attachment			
						TYPE	D (mm)	W (mm)	TYPE	D (mm)	W (mm)	
204584262	Vespa PK XI	125	86-89	266584	Front	253	C	M10x1,25	17	D	M8 x 1,25	35
204560182	Vespa Pk XI	125	86-89	266404	Rear	348	C	M9 x 1,25	16	B	9,6	47
204560192	Vespa Pk XI	125	86-89	58571R	Rear	344	C	M9 x 1,25	16	B	9,6	47
204584282	Vespa Px	125		2329284	Front	310	C	M10 x 1,25	14	D	8,1	38
204560182	Vespa Px	125	98-01	2466204	Rear	348	C	M9 x 1,25	16	B	9,6	47
204560272	Vespa Px	125	89-90	561882	Rear	391	C	M9 x 1,25	16	B	9,6	47
204550292	Vespa PX	125	85-89	494783	Rear	347	C	M9 x 1,25	16	B	9,6	47
204560182	Vespa Px 30 Anni	125	07-08	2466204	Rear	348	C	M9 x 1,25	16	B	9,6	47
204560272	Vespa Px 30 Anni	125	89-90	561882	Rear	391	C	M9 x 1,25	16	B	9,6	47
204560182	Vespa Px Eu2	125	01-07	2466204	Rear	348	C	M9 x 1,25	16	B	9,6	47
204560272	Vespa Px Eu2	125	89-90	561882	Rear	391	C	M9 x 1,25	16	B	9,6	47
204584402	Vespa Px T5	125	85-89	2329284	Front	310	C	M10 x 1,25	14	D	8,1	38
204560182	Vespa Px T5	125	85-89	2466204	Rear	348	C	M9 x 1,25	16	B	9,6	47
204560272	Vespa Px T5	125	89-90	561882	Rear	391	C	M9 x 1,25	16	B	9,6	47
204584402	Vespa Pxe Arcobaleno	125	81-97	2329284	Front	310	C	M10 x 1,25	14	D	8,1	38
204560182	Vespa Pxe Arcobaleno	125	81-97	2466204	Rear	348	C	M9 x 1,25	16	B	9,6	47
204560192	Vespa Pxe Arcobaleno	125	81-97	58571R	Rear	344	C	M9 x 1,25	16	B	9,6	47
204550292	Vespa Special	125		494783	Rear	347	C	M9 x 1,25	16	B	9,6	47
204550292	Vespa Sprint	125		494783	Rear	347	C	M9 x 1,25	16	B	9,6	47
204550292	Vespa Sprint	125		494783	Rear	347	C	M9 x 1,25	16	B	9,6	47
204550792	X10 4T Le EU3	125	12-13	58607R	Rear	430	A	10,5	30	A	14,1	24
204550772	X7 EU3	125	08	646552	Rear	350	A	10,5	30	A	10,5	30
204550772	X8	125	04-06	646552	Rear	350	A	10,5	30	A	10,5	30
204550772	X8 Premium EU2	125	06	646552	Rear	350	A	10,5	30	A	10,5	30
204550772	X8 Premium EU3	125	06-07	646552	Rear	350	A	10,5	30	A	10,5	30
204550782	X9	125	01-02	56231R	Rear	340	A	10,5	30	A	14,1	24
204550782	X9 Evolution	125	03-06	56231R	Rear	340	A	10,5	30	A	14,1	24
204550782	X9 Evolution EU3	125	07	56231R	Rear	340	A	10,5	30	A	14,1	24
204550772	X-Evo	125	07-12	646552	Rear	350	A	10,5	30	A	10,5	30
204584212	Zip	125	00-02	598922	Front	264	C	M8 x 1,25	14	D	M8	35
204550432	Zip	125	00-02	56230R	Rear	322,5	C	M8 x 1,0	21	B	10,2	30

# MAXISCOOT INDEX P



**RMS**  
MOTORCYCLE PARTS

ART. NUMBER	MODEL	YEAR	OEM NUMBER	FRONT/ REAR	L (mm)	Upper attachment			Lower attachment			
						TYPE	D (mm)	W (mm)	TYPE	D (mm)	W (mm)	
204550281	Liberty 4t Eu3	150	07-08	56232R	Rear	318	C	M8 x 1,0	25	A	10,2	30
204550281	Liberty 4t Sport Eu3	150	08	56232R	Rear	318	C	M8 x 1,0	25	A	10,2	30
204550281	Liberty Moc 4t	150	01-09	56232R	Rear	318	C	M8 x 1,0	25	A	10,2	30,5
204550432	Vespa Lx	150	05-06	56230R	Rear	322,5	C	M8 x 1,0	21	B	10,2	35
204584372	Vespa Lx	150	05-06	646959	Front	266	C	M10 x 1,25	15	D	M8 x 1,25	30,5
204550432	Vespa Lx 3v Ie-Touring	150	01-12	56230R	Rear	322,5	C	M8 x 1,0	21	B	10,2	35
204584372	Vespa Lx 3v Ie-Touring	150	01-12	646959	Front	266	C	M10 x 1,25	15	D	M8 x 1,25	30,5
204550432	Vespa Lx 4t FI	150	09	56230R	Rear	3225	C	M8 x 1,0	21	B	10,2	35
204584372	Vespa Lx 4t FI	150	09	646959	Front	266	C	M10 x 1,25	15	D	M8 x 1,25	30,5
204550432	Vespa Lx Eu3	150	06-08	56230R	Rear	3225	C	M8 x 1,0	21	B	10,2	30,5
204550432	Vespa Lx Eu3 Ie	150	09-11	56230R	Rear	3225	C	M8 x 1,0	21	B	10,2	35
204584372	Vespa Lx Eu3 Ie	150	09-11	646959	Front	266	C	M10 x 1,25	15	D	M8 x 1,25	30,5
204550432	Vespa Lx Touring	150	10-12	56230R	Rear	3225	C	M8 x 1,0	21	B	10,2	35
204584372	Vespa Lx Touring	150	10-12	646959	Front	266	C	M10 x 1,25	15	D	M8 x 1,25	47
204584282	Vespa Px	150		2329284	Front	310	C	M10 x 1,25	14	D	8,1	38
204560272	Vespa Px	150	89-90	561882	Rear	391	C	M9 x 1,25	16	B	9,6	47
204550292	Vespa PX	150		494783	Rear	347	C	M9 x 1,25	16	B	9,6	47
204584402	Vespa Pxe Arcobaleno	150	81-97	2329284	Front	310	C	M10 x 1,25	14	D	8,1	38
204550782	X9 Amalfi	180	00-03	56231R	Rear	340	A	10,5	30	A	14,1	24
204550672	Carnaby	200	07-08	649423	Rear	348	A	8	21	A	14,1	30
204550281	Liberty	200	06	56232R	Rear	318	C	M8 x 1,0	25	A	10,2	30
204550281	Liberty Rst	200	04	56232R	Rear	318	C	M8 x 1,0	25	A	10,2	30
204550281	Liberty Sport	200	06	56232R	Rear	318	C	M8 x 1,0	25	A	10,2	24
204550512	Vespa Granturismo	200	06-07	58503R	Rear	348	C	M8 x 1,0	25	A	14,1	35
204584382	Vespa Granturismo	200	06-07	56286R	Front	291	C	M10 x 1,25	16	D	M8 x 1,25	24
204584282	Vespa PE	200		2329284	Front	310	C	M10 x 1,25	14	D	8,1	38
204550292	Vespa PX	200		494783	Rear	347	C	M9 x 1,25	16	B	9,6	47
204550772	X8	200	05-07	646552	Rear	350	A	10,5	30	A	10,5	30
204550782	X9	200	02-03	56231R	Rear	340	A	10,5	30	A	14,1	24
204550782	X9 Evolution	200	03	56231R	Rear	340	A	10,5	30	A	14,1	24
204550362	Beverly	250	06-07	56174R	Rear	339	A	10,1	30	B	14,1	24

# MAXISCOOT INDEX P



**RMS**  
MOTORCYCLE PARTS

ART. NUMBER	MODEL	YEAR	OEM NUMBER	FRONT/ REAR	L (mm)	Upper attachment			Lower attachment			
						TYPE	D (mm)	W (mm)	TYPE	D (mm)	W (mm)	
204550362	Beverly Cruiser	250	07-09	56174R	Rear	339	A	10,1	30	B	14,1	24
204550362	Beverly Eu3 Mic	250	07	56174R	Rear	339	A	10,1	30	B	14,1	24
204550362	Beverly le Eu3	250	06-08	56174R	Rear	339	A	10,1	30	B	14,1	24
204550682	Beverly Rst	250	04-05	601014	Rear	338	A	10,5	30	A	14,1	24
204550362	Beverly Tourer Eu3	250	08-09	56174R	Rear	339	A	10,1	30	B	14,1	24
204550672	Carnaby	250	08	649423	Rear	348	A	8	21	A	14,1	24
204550512	Vespa Gt 60 Eu3	250	06-07	58503R	Rear	348	C	M8 x 1,0	25	A	14,1	35
204584382	Vespa Gt 60 Eu3	250	06-07	56286R	Front	291	C	M10 x 1,25	16	D	M8 x 1,25	24
204550512	Vespa Gts, Gts Abs	250	05-13	58503R	Rear	348	C	M8 x 1,0	25	A	14,1	35
204584382	Vespa Gts, Gts Abs	250	05-13	56286R	Front	291	C	M10 x 1,25	16	D	M8 x 1,25	35
204584382	Vespa Gtv	250	06-09	56286R	Front	291	C	M10 x 1,25	16	D	M8 x 1,25	35
204584382	Vespa Gtv 4t Navy Eu3	250	08	56286R	Front	291	C	M10 x 1,25	16	D	M8 x 1,25	24
204550772	X7 EU3	250	08	646552	Rear	350	A	10,5	30	A	10,5	30
204550772	X8 EU3	250	05-08	646552	Rear	350	A	10,5	30	A	10,5	30
204550782	X9 Evolution	250	04-06	56231R	Rear	340	A	10,5	30	A	14,1	24
204550772	X-Evo	250	07-13	646552	Rear	350	A	10,5	30	A	10,5	30
204550682	Beverly 300 le Tourer	300	-	601014	Rear	338	A	10,5	30	A	14,1	24
204550662	Beverly Rst 4t 4v le Eu3	300	10-13	58518R	Rear	346	A	10,5	30	A	14,1	24
204550682	Beverly Rst 4t 4v le Eu3	300	10-12	601014	Rear	338	A	10,5	30	A	14,1	24
204550682	Beverly Tourer Eu3	300	09-10	601014	Rear	338	A	10,5	30	A	14,1	24
204550672	Carnaby Cruiser	300	09-12	649423	Rear	348	A	8	21	A	14,1	24
204550512	Vespa Gts le	300	10-12	58503R	Rear	348	C	M8 x 1,0	25	A	14,1	35
204584382	Vespa Gts le	300	10-12	56286R	Front	291	C	M10 x 1,25	16	D	M8 x 1,25	24
204550512	Vespa Gts le Touring	300	11-12	58503R	Rear	348	C	M8 x 1,0	25	A	14,1	35
204584382	Vespa Gts le Touring	300	11-12	56286R	Front	291	C	M10 x 1,25	16	D	M8 x 1,25	24
204550512	Vespa Gts Super	300	08-13	58503R	Rear	348	C	M8 x 1,0	25	A	14,1	24
204550512	Vespa Gts Super Sport	300	10-13	58503R	Rear	348	C	M8 x 1,0	25	A	14,1	24
204550512	Vespa Gtv 4t 4v le	300	10-13	58503R	Rear	348	C	M8 x 1,0	25	A	14,1	35
204584382	Vespa Gtv 4t 4v le	300	10-13	56286R	Front	291	C	M10 x 1,25	16	D	M8 x 1,25	24
204550512	Vespa Montenapoleone	300	10	58503R	Rear	348	C	M8 x 1,0	25	A	14,1	35
204584382	Vespa Montenapoleone	300	10	56286R	Front	291	C	M10 x 1,25	16	D	M8 x 1,25	20

# MAXISCOOT INDEX P - Y

ART. NUMBER	MODEL	YEAR	OEM NUMBER	FRONT/ REAR	L (mm)	Upper attachment			Lower attachment			
						TYPE	D (mm)	W (mm)	TYPE	D (mm)	W (mm)	
204550632	Beverly le Eu3 Sport	350	11-13	58583R	Rear	340	A	10,1	20	B	M10 x 1,25	20
204550632	Beverly le Eu3 Touring	350	11-13	58583R	Rear	340	A	10,1	20	B	M10 x 1,25	30
204550792	X10 4T Le EU3	350	12-13	58607R	Rear	430	A	10,5	30	A	14,1	24
204550651	Beverly Eu3	400	06-07	56210R	Rear	377	A	10,5	30	A	10,5	30
204550651	Beverly Tourer Eu3	400	08-10	56210R	Rear	377	A	10,5	30	A	10,5	30
204550651	Beverly Cruiser	500	07-12	56210R	Rear	377	A	10,5	30	A	10,5	30
204550651	Beverly Euro3	500	02-06	56210R	Rear	377	A	10,5	30	A	10,5	30
204550651	Beverly Euro3	500	06-08	56210R	Rear	377	A	10,5	30	A	10,5	30
204550281	Liberty Elettrico Ppt Aut	-	11	56232R	Rear	318	C	M8 x 1,0	25	A	10,2	20
<b>SUZUKI</b>												
204550622	Burgman K7-L0	125	07-10	62100-03H01-000	Rear	340	A	10,1	20	B	M10 x 1,25	20
204550622	Burgman L1	125	11-12	62100-03H01-000	Rear	340	A	10,1	20	B	M10 x 1,25	20
204550622	Burgman L3	125	13	62100-03H01-000	Rear	340	A	10,1	20	B	M10 x 1,25	20
204550612	Ux Sixteen K8-L0	125	08-10	62100-20H01-000	Rear	325	A	10,1	20	B	M10 x 1,25	20
204550612	Ux Sixteen L1	125	11	62100-20H01-000	Rear	325	A	10,1	20	B	M10 x 1,25	20
204550612	Ux Sixteen K8-L0	150	08-10	62100-20H01-000	Rear	325	A	10,1	20	B	M10 x 1,25	20
204550612	Ux Sixteen L1	150	11	62100-20H01-000	Rear	325	A	10,1	20	B	M10 x 1,25	20
204550622	Burgman K7-L0	200	07-10	62100-03H01-000	Rear	340	A	10,1	20	B	M10 x 1,25	20
204550622	Burgman L1	200	11-12	62100-03H01-000	Rear	340	A	10,1	20	B	M10 x 1,25	20
204550622	Burgman L3	200	13	62100-03H01-000	Rear	340	A	10,1	20	B	M10 x 1,25	20
<b>SYM</b>												
204550961	HD/HD-EVO	125-200		52400H9B800	Rear	303	A	10,2	18	B	M8 x 1,25	19
204550971	Joymax	300	12-14	52400LEA000KB	Rear	381	A	10,2	21	B	M8 x 1,25	19
204550981	Citycom	300	10-15	52400L3A000KB	Rear	381	A	10,2	21	B	M8 x 1,25	19
204551001	Maxsym	400	11-12	52400L4A000KB	Rear	397	A	12,2	21	B	M8 x 1,25	26
<b>YAMAHA</b>												
204550181	Neo's	100	99-02	5KKF22100033	Rear	280	A	10,1	20	B	M8 x 1,25	20
204550302	Majesty	125	03-06	5D5F2210033	Rear	336	A	10,1	20	B	M8 x 1,25	20
204550302	Majesty	125	98-02	5D5F2210033	Rear	336	A	10,1	20	B	M8 x 1,25	20
204550482	R X-Max	125	06-09	1B9F22100200	Rear	343	A	10,1	20	B	M8 x 1,25	20
204550502	R X-Max	125	10-12	37PF22100000	Rear	343	A	10,1	20	B	M8 x 1,25	20

# MAXISCOOT INDEX Y

ART. NUMBER	MODEL	YEAR	OEM NUMBER	FRONT/ REAR	L (mm)	Upper attachment			Lower attachment			
						TYPE	D (mm)	W (mm)	TYPE	D (mm)	W (mm)	
204550502	Yp R X-Max Abs	125	11	37PF22100000	Rear	343	A	10,1	20	B	M8 x 1,25	20
204550302	Majesty	150	01-02	5D5F2210033	Rear	336	A	10,1	20	B	M8 x 1,25	20
204550302	Majesty	180	03-06	5D5F2210033	Rear	336	A	10,1	20	B	M8 x 1,25	20
204550482	Black X-Max	250	09	1B9F22100200	Rear	343	A	10,1	20	B	M8 x 1,25	20
204550331	Majesty	250	00-03	5GM222100000	Rear	344	A	10,1	20	B	M8 x 1,25	20
204550331	Majesty Abs	250	03	5GM222100000	Rear	344	A	10,1	20	B	M8 x 1,25	20
204550482	R X-Max	250	05-09	1B9F22100200	Rear	343	A	10,1	20	B	M8 x 1,25	20
204550502	R X-Max	250	10-13	37PF22100000	Rear	343	A	10,1	20	B	M8 x 1,25	20
204550802	Vp X-City	250	07-08	5B2F22101000	Rear	358	A	10,1	20	B	M8 x 1,25	20
204550492	Vp X-City	250	09-12	5B2F221020	Rear	358	A	10,1	20	B	M8 x 1,25	20
204550342	Majesty Yp	400	04-11	5GM222100000	Rear	415	B	10 x 1,25	20	B	M8 x 1,25	20
204550342	Majesty Yp Abs	400	07-11	5GM222100000	Rear	415	B	10 x 1,25	20	B	M8 x 1,25	20
204550912	Yp R X-Max	400	13-15	1SDF22101000	Rear	405	A	10,1	20	B	M8 x 1,25	20
204550912	Yp R X-Max Abs	400	13-15	1SDF22101000	Rear	405	A	10,1	20	B	M8 x 1,25	20

### TOEPASSINGLIJST / VERWENDUNGSLISTE

Alle producten in deze folder, inclusief de bijbehorende toepassingslijst, vindt u op onze website: [www.mokix.com](http://www.mokix.com)

Alle Produkte in diesem Prospekt, inklusive der dazugehörigen Zuordnungsliste, finden Sie auf unserer Webseite:  
[www.mokix.de](http://www.mokix.de)

FORSA2018/5



© mei 2018. Drukfouten en wijzigingen voorbehouden.